

Product Code:

LPF3916-GA-12-3.2-R


 RoHS
Compliant

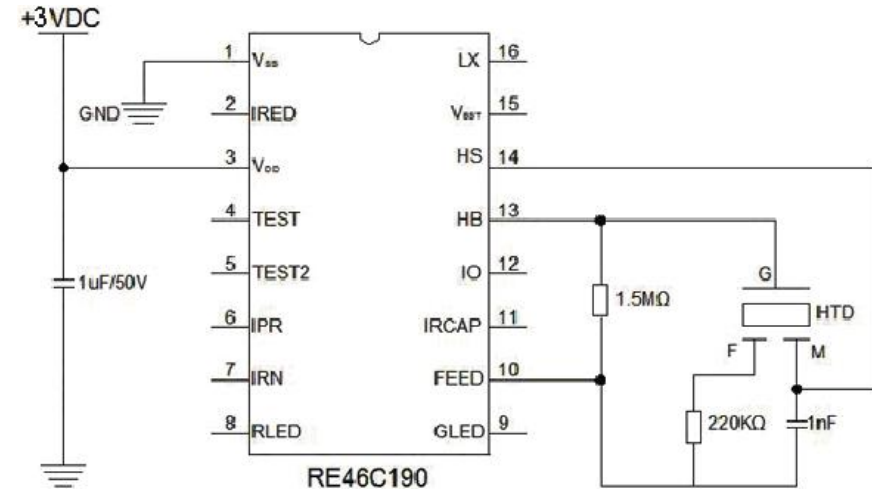
Picture:

Specification:

Rated Voltage	(VDC)	3
Operating Voltage	(VDC)	2.4~5.5
*Rated Current	(mA)	≤30
*Sound Output at 300cm	(dB)	≥90
*Resonance Frequency	(KHz)	3.2±0.5
Operating Temperature	(°C)	-40~+85
Storage Temperature	(°C)	-40~+90
Weight	(g)	9.1
Housing Material		ABS(777D)
RoHS		Yes

*Value applying at rated voltage.

Test basic state: Temp(20±2°C) , Humidity(40~70%RH) , Air pressure(860~1060hPa).

Test Self-Oscillaton Circuit

Dimensions (Unit: mm)

Tolerance: ±0.5mm Except Specified

