

Product Code:

LPF3016AZ-GB-12-3.25-R

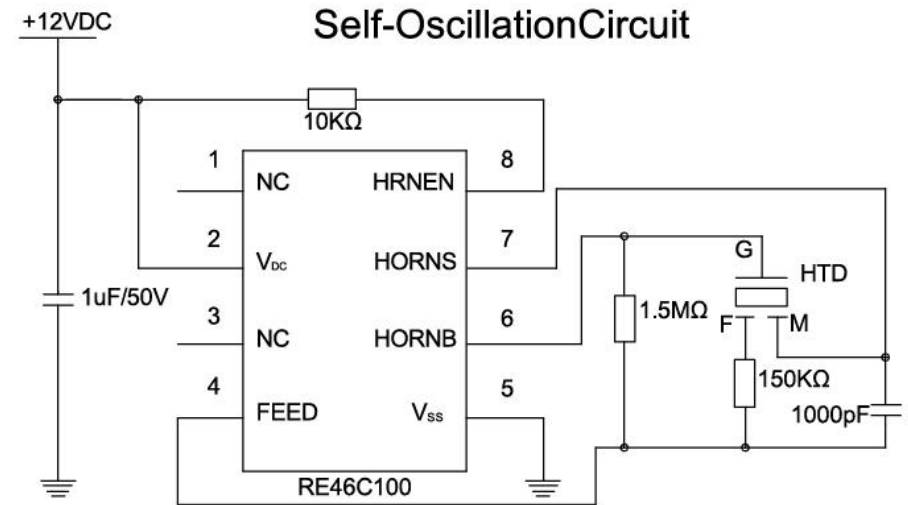

Picture:

Specification:

| | | |
|------------------------|-------|----------|
| Rated Voltage | (VDC) | 12 |
| Operating Voltage | (VDC) | 5.5~12 |
| *Rated Current | (mA) | ≤30 |
| *Sound Output at 300cm | (dB) | ≥85 |
| *Resonance Frequency | (KHz) | 3.25±0.5 |
| Operating Temperature | (°C) | -40~+85 |
| Storage Temperature | (°C) | -40~+90 |
| Weight | (g) | 6.3 |
| Housing Material | | PBT |
| RoHS | | Yes |

*Value applying at rated voltage.

Test basic state: Temp(20±2°C) , Humidity(40~70%RH) , Air pressure(860~1060hPa).

Test Self-Oscillation Circuit

Dimensions (Unit: mm)

Tolerance: ±0.5mm Except Specified

