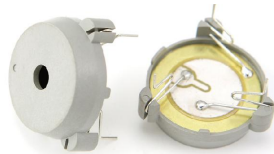
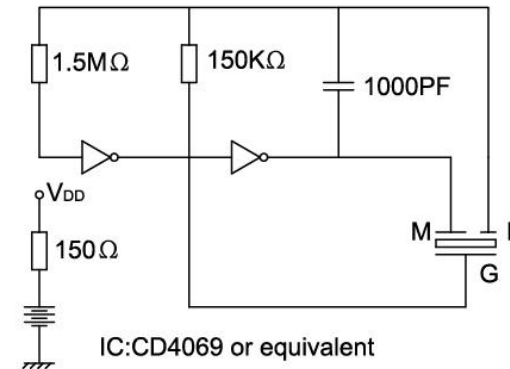


Product Code:

LPF2260B-TO-12-3.6-R

Picture:

 RoHS
Compliant

Test Self-Oscillaton Circuit
Self-Oscillation Circuit

Specification:

Rated Voltage	(VDC)	12
Operating Voltage	(VDC)	3~20
*Rated Current	(mA)	≤12
*Sound Output at 30cm	(dB)	≥85
*Resonance Frequency	(KHz)	3.6±0.3
Operating Temperature	(°C)	-40~+85
Storage Temperature	(°C)	-40~+90
Weight	(g)	2
Housing Material		PPO
RoHS		Yes

*Value applying at rated voltage.

Test basic state: Temp(20±2°C) , Humidity(40~70%RH) , Air pressure(860~1060hPa).

Dimensions (Unit: mm)

Tolerance: ±0.5mm Except Specified

