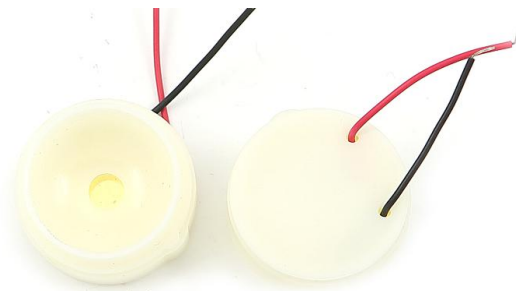


Product Code:

LPT3016W405-TA-09-3.4-R

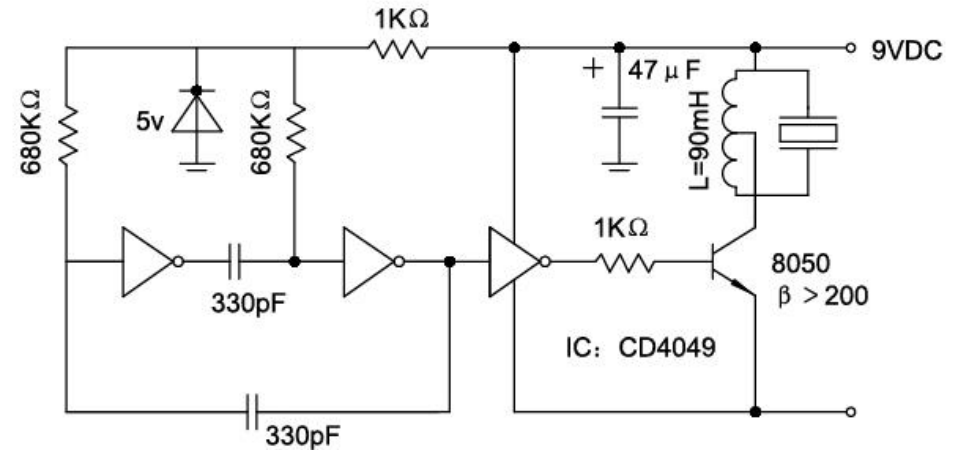

 RoHS
Compliant

Picture:

Specification:

Rated Voltage	(Vp-p)	9
Max Input Voltage	(Vp-p)	28
*Rated Current	(mA)	≤18
Capacitance at 100Hz	(pF)	-
*Sound Output at 10cm	(dB)	≥95
Resonance Frequency	(KHz)	3.4±0.5
Operating Temperature	(°C)	-20~+70
Storage Temperature	(°C)	-30~+80
Weight	(g)	6.3
Housing Material		ABS
RoHS		Yes

*Value applying at rated voltage , 3.4KHz, 1/2 duty , square wave

Test basic state: Temp(20±2°C) , Humidity(40~70%RH) , Air pressure(860~1060hPa).

Frequency Response:
Self-Oscillation Circuit

Dimensions (Unit: mm)

Tolerance: ±0.5mm Except Specified

